

Pourover Coffee Brewer with 2 Warmers

Features

Low Profile Pourover Coffee Brewer

- Space saving 8.5" (21.6 cm) wide.
- Pourover brewer requires no plumbing – completely portable.
- Consistently brews perfect coffee.
- All stainless steel construction.
- Two separately controlled warmers.
- SplashGard® funnel deflects hot liquids away from the hand.
- Brew capacity varies by model. See back for details.



VP17-2

(decanters not included)

Dimensions: 18.9" H x 8.5" W x 17.8" D
(48cm H x 21.6cm W x 45.2cm D)

For current specification sheets and other information, go to www.bunn.com.

International models may vary in appearance.

Related Products

Paper Filter Pack

Product No. : 20115.0000



Easy Pour® decanter



WX2-warmer

Two position warmer



Dimensions & Specifications

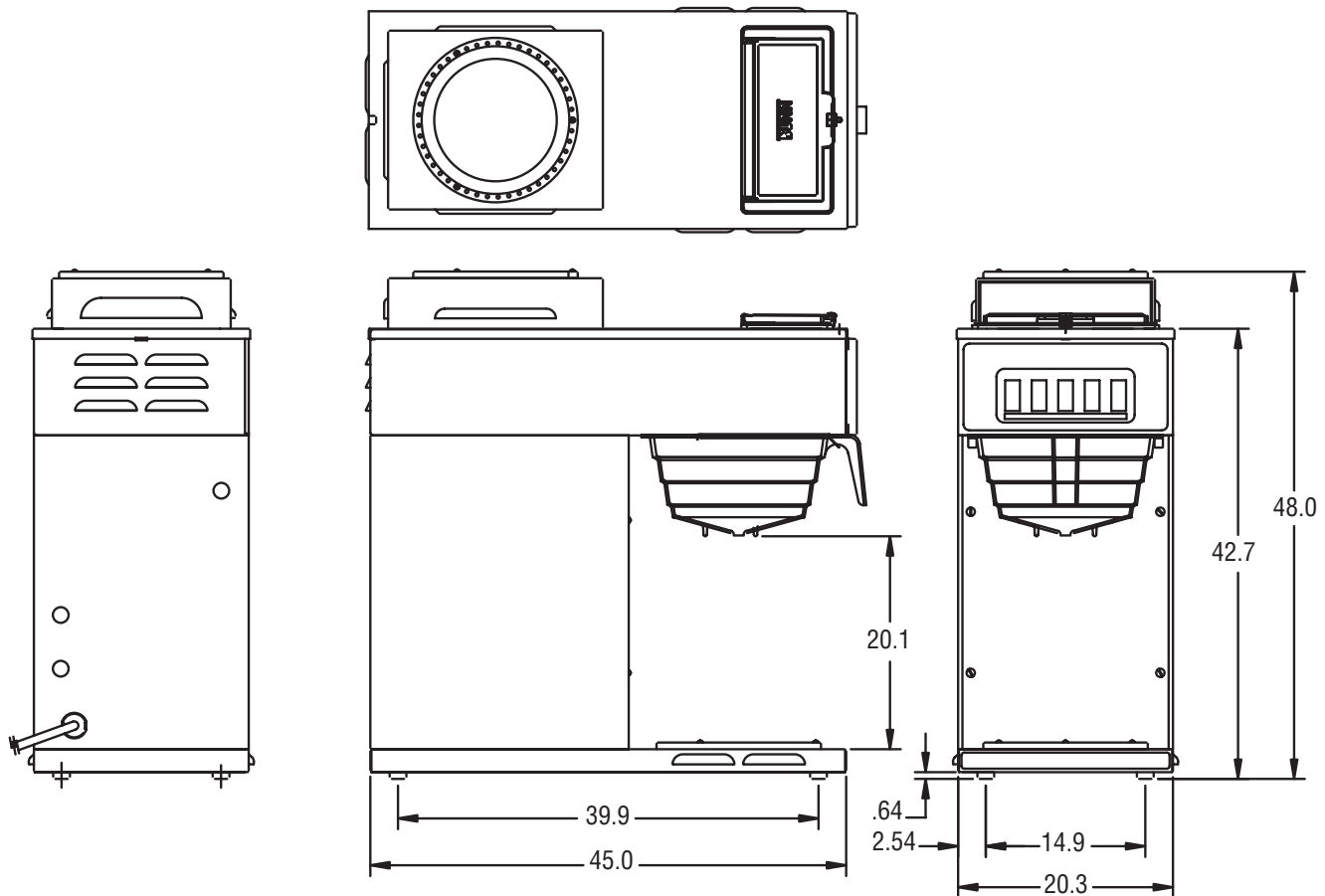
Model	Product #	Volts	Amps	Total Watts	Brewing Capacity	Shipping Weight	Cord Attached	Agency
VP17A-2	13300.0015	220-230	9.5-10	2100-2260	5.8 gal./hr. (22 L/hr.)	24 lbs. (10.9 kg)	No	☪ KSA
Power cord	27728.0005							
VP17A-2	13300.0038	220	9.5	2100	5.3 gal./hr. (20 L/hr.)	24 lbs. (10.9 kg)	No	☪
Power cord	27728.0005							
VP17A-2	13300.0041	220-230	9.5-10	2100-2260	5.8 gal./hr. (22 L/hr.)	24 lbs. (10.9 kg)	Yes UK Plug	☪ KSA
VP17A-2	13300.0053	220-230	9.5-10	2100-2260	5.8 gal./hr. (22 L/hr.)	24 lbs. (10.9 kg)	Yes	☪
VP17A-2†	13300.0054	220	9.5	2100	5.8 gal./hr. (22 L/hr.)	24 lbs. (10.9 kg)	Yes Brazil Plug	☪

†Gourmet funnel

Brewing capacity: based upon incoming water temp of 60°F/15°C (140°F/60°C rise) per 1/2 gallon (1.89 litre) brew time of 4 minutes.

Electrical: 220-230V models require 2-wires plus ground service rated 220-240V, single phase, 50/60 Hz.
220V model requires 2-wires plus ground service rated 220-240V, single phase, 60 Hz.

Plumbing: No plumbing needed.



Bunn-O-Matic® Corporation - 1400 Stevenson Drive Springfield, Illinois 62703 • USA • +1-217-529-6601 • Fax +1-217-529-2827 • www.bunn.com

BUNN® practices continuous product research and improvement. We reserve the right to change specifications and product design without notice. Such revisions do not entitle the buyer to corresponding changes, improvements, additions or replacements for previously purchased equipment.

All dimensions shown in centimeters. Bunn-O-Matic Corporation owns all copyrights relating to materials in this publication. Please contact BUNN to request permission to reproduce any portion of this publication.